



RAZER KAIRA HYPERSPEED

MASTER GUIDE

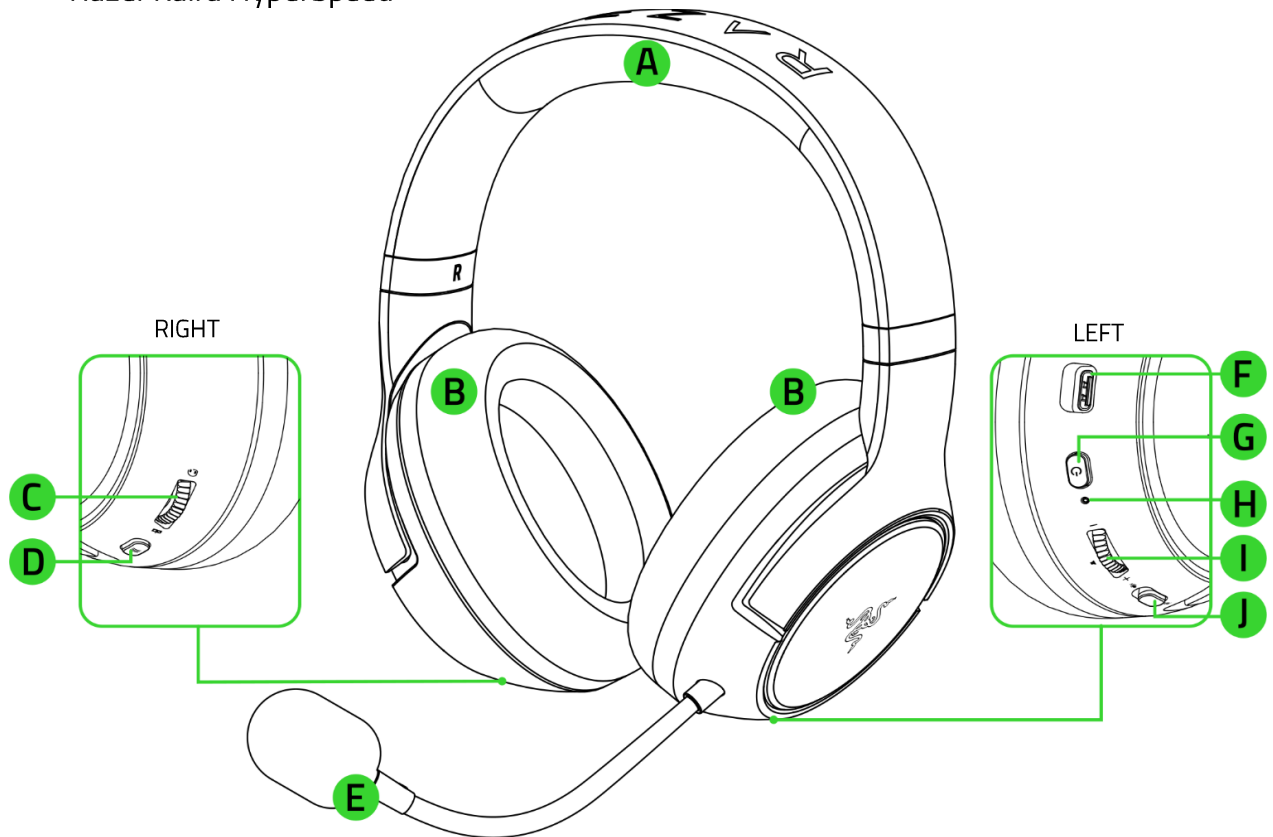
Hear the unfair advantage, no matter where you play with the **Razer Kaira HyperSpeed** — a wireless gaming headset that unleashes cutting-edge immersion and untethered freedom. With 2.4 GHz gaming grade wireless and unmatched audio technology, you'll be able to play anywhere and conquer everywhere.

CONTENTS

1. WHAT'S INSIDE	3
2. WHAT'S NEEDED	4
3. LET'S GET YOU COVERED	5
4. TECHNICAL SPECIFICATIONS.....	6
5. SETTING UP YOUR RAZER KAIRA HYPERSPEED	7
6. USING YOUR HEADSET	14
7. SAFETY AND MAINTENANCE	22
8. LEGALESE.....	24

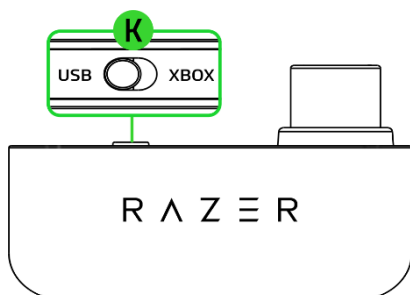
1. WHAT'S INSIDE

- Razer Kaira HyperSpeed



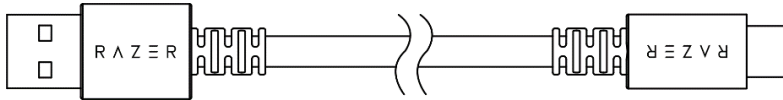
- A. Auto-adjusting headband
- B. Razer™ FlowKnit Memory Foam Cushions
- C. Game / Chat balance wheel
- D. Razer SmartSwitch / EQ button
- E. Bendable Razer™ HyperClear cardioid mic
- F. USB Type C port
- G. Power button
- H. Status indicator
- I. Volume wheel
- J. Mic mute switch

- USB Type C wireless dongle

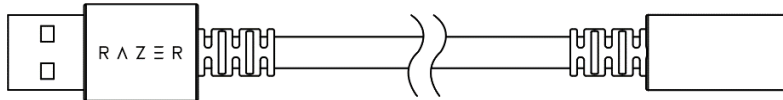


- K. Headset mode switch

- USB Type A to USB Type C charging cable



- USB Type A to USB Type C adapter cable



- Important Product Information Guide

2. WHAT'S NEEDED

- Xbox Series™ X|S, Xbox One™ X, Xbox One™ S
- PS5™, PS4™
- PC, Mac
- Nintendo Switch™
- Devices with Bluetooth audio capability / USB Type C or USB Type A port

SAFETY STATEMENT

IMPORTANT! Before using your Xbox console with this product, read its instruction manual for safety, health, and other information regarding the use of your Xbox console.

3. LET'S GET YOU COVERED



Register your product and score exclusive benefits
[razerid.razer.com/warranty](https://www.razerid.razer.com/warranty)

Your product's serial number can be found here.



4. TECHNICAL SPECIFICATIONS

HEADPHONES

- Frequency response: 20 Hz – 20 kHz
- Impedance: 32Ω
- Sensitivity (@1 kHz): 98 dB SPL / mW
- Drivers: 50 mm, with Neodymium magnets
- Inner ear cup diameter: Width 45 mm / Length 65 mm
- Oval ear cushions: Designed for full-ear coverage with heat-transfer fabric, perfect for long-wearing comfort
- Connection type: USB Type C wireless dongle / Bluetooth 5.2
- Wireless frequency: 2.4 GHz
- Battery life: Up to 30 hours

MICROPHONE

- Fixed mic boom
- Frequency response: 100 – 10,000 Hz
- Signal-to-noise ratio: > 60 dB
- Sensitivity (@1 kHz): -42 dBV / Pa, 1 kHz
- Pick-up pattern: Unidirectional

RANGE

- Bluetooth wireless range: Up to 10 m / 30 ft

SYSTEM REQUIREMENTS

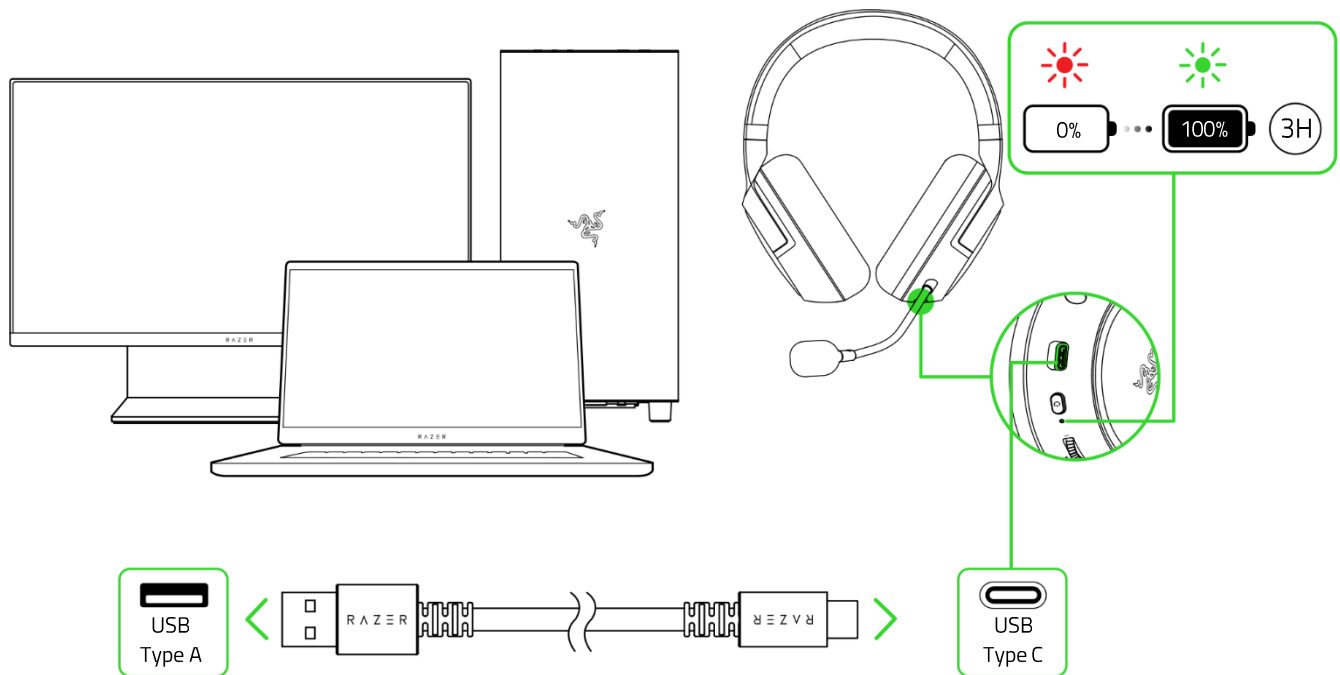
- Xbox Series X|S, Xbox One X, Xbox One S
- PS5™, PS4™
- PC, Mac*
- Smartphones, tablets, and handheld gaming devices with Bluetooth audio capability or a USB Type C port

**Mac compatibility via Bluetooth connection*

5. SETTING UP YOUR RAZER KAIRA HYPERSPEED

CHARGING YOUR HEADSET

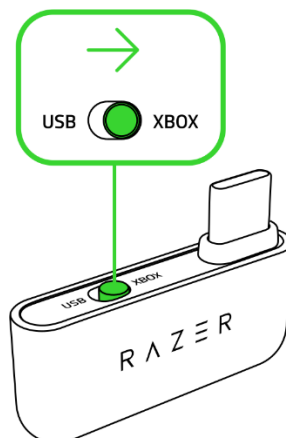
Connect your Razer Kaira HyperSpeed to a powered USB Type A port using the charging cable. For best results, please fully charge your headset before using it for the first time. A depleted unit will fully charge in about 3 hours.



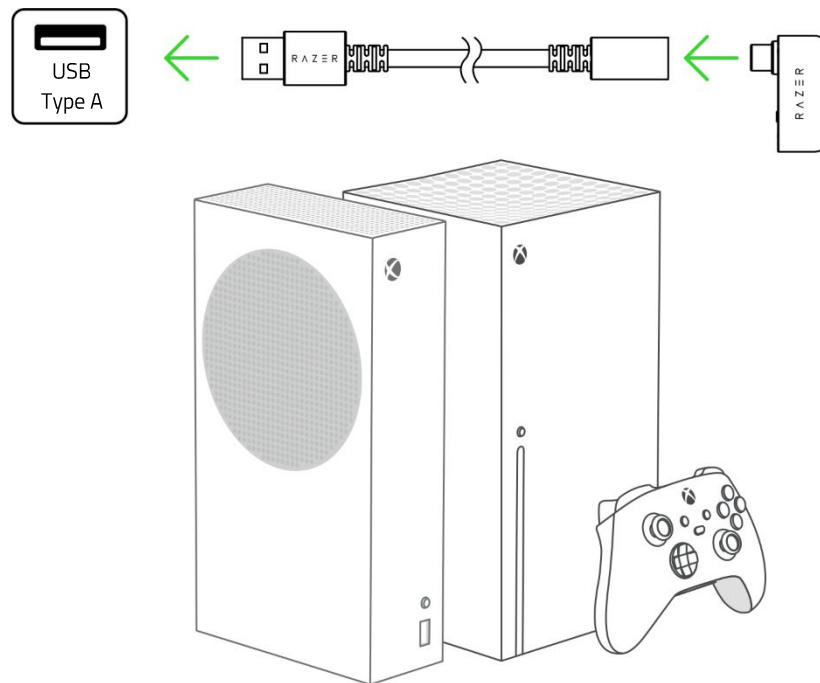
CONNECTING TO YOUR HEADSET

A. To an Xbox console via the USB Type C wireless dongle (2.4 GHz)

1. Set the Headset mode switch on the USB Type C wireless dongle to **XBOX**.

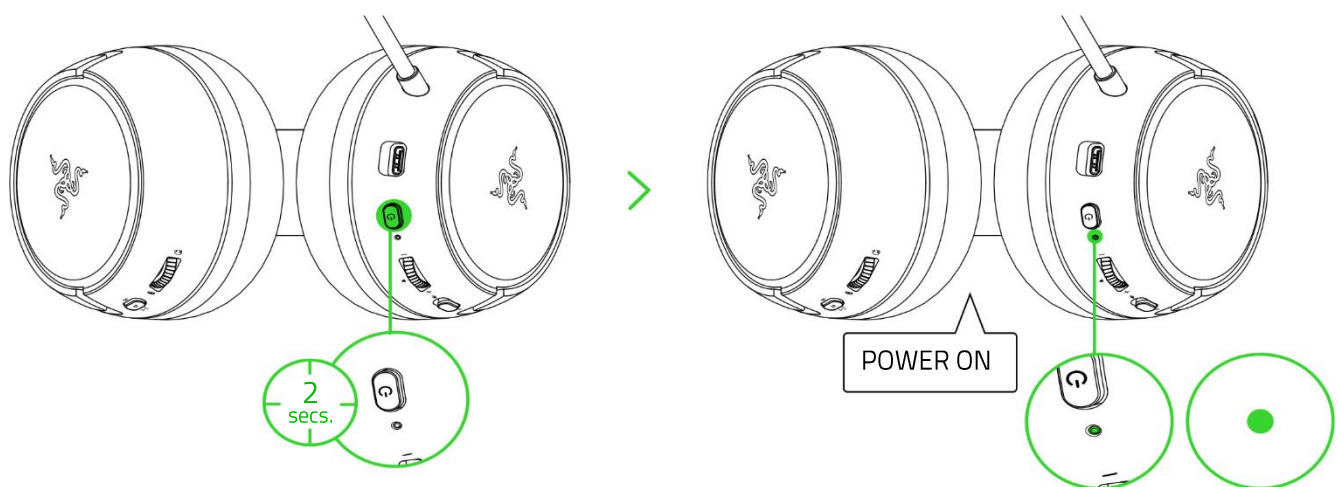


2. Plug the USB Type C wireless dongle into your Xbox console.

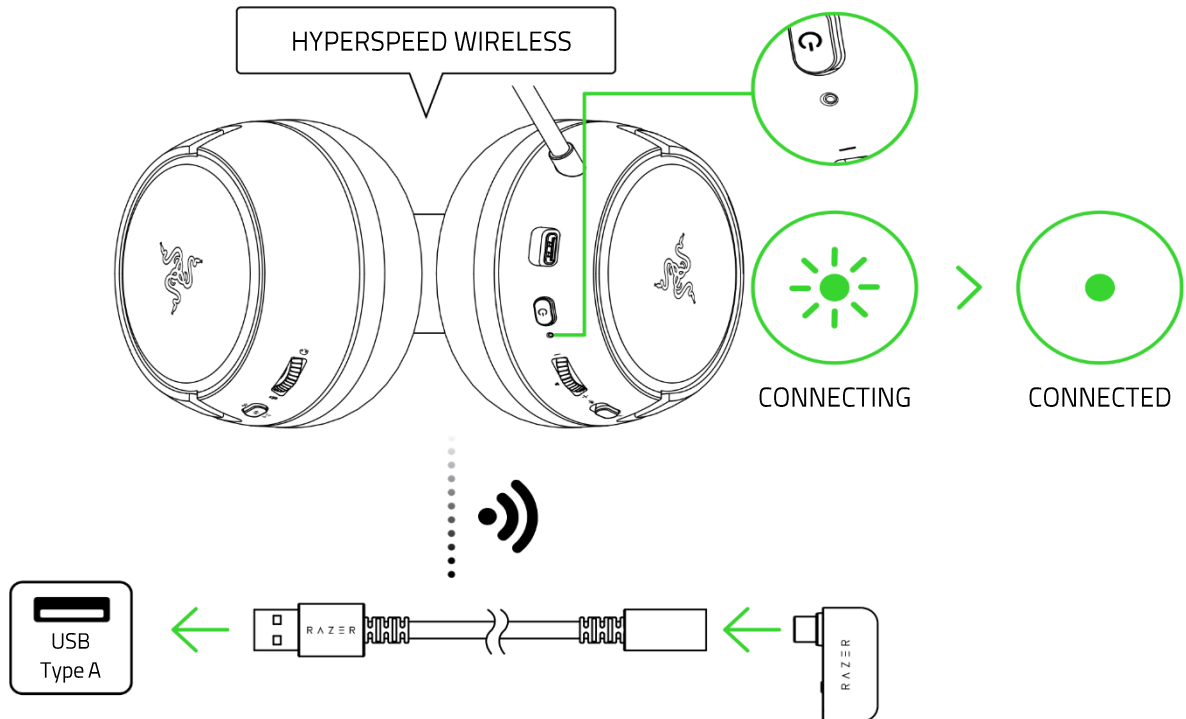


i Always use the USB Type A to USB Type C adapter cable when connecting the USB Type C wireless dongle to an Xbox console. DON'T directly plug it into your Xbox wireless controller's USB-C power port.

3. Press and hold the Power button until the status indicator briefly lights up in solid green to power on the headset.

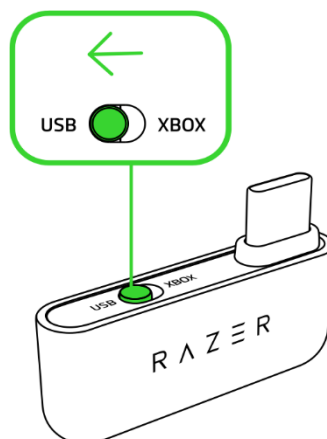


4. Wait until the status indicator briefly becomes static green, indicating that the headset is connected to the USB Type C wireless dongle.

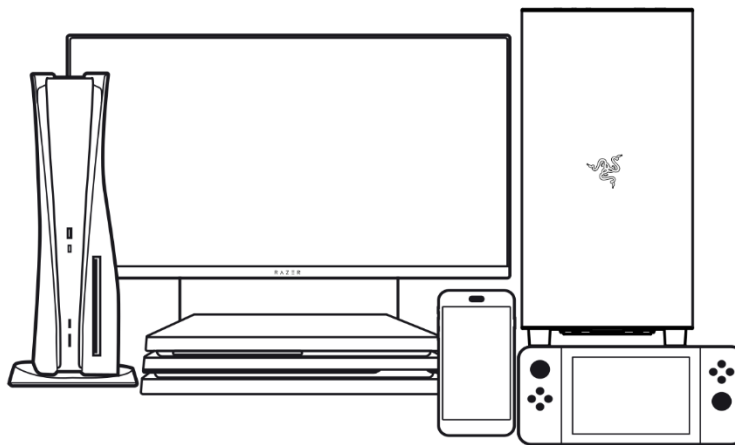
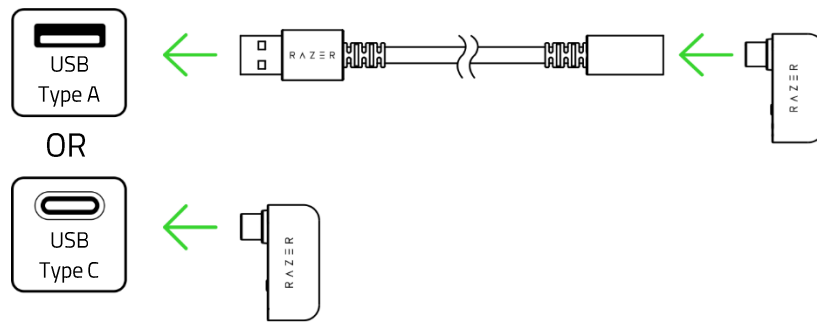


B. To other devices via the USB Type C wireless dongle (2.4 GHz)

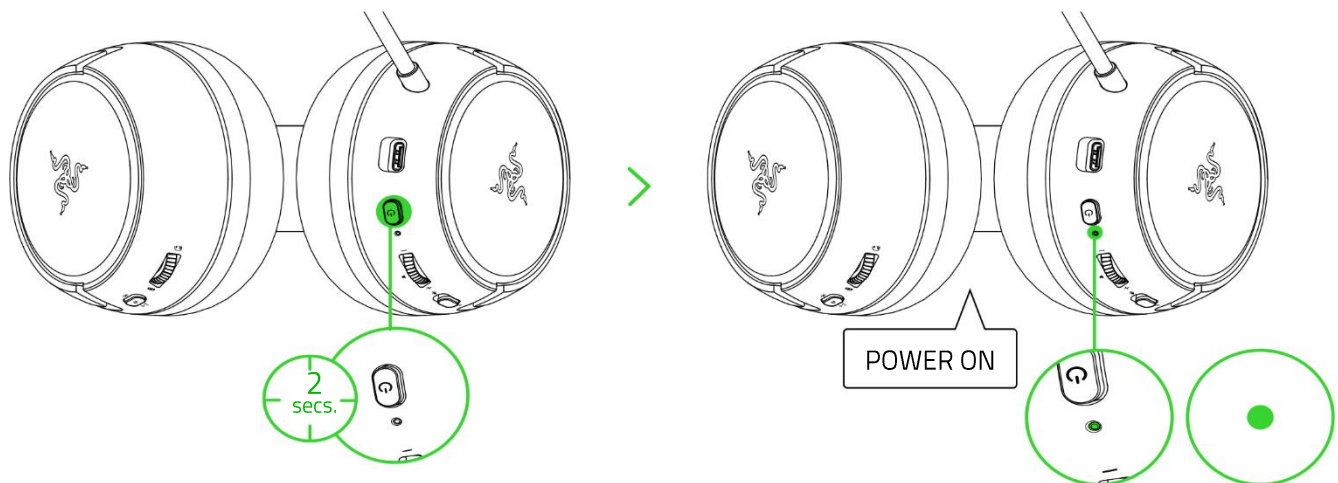
1. Set the Headset mode switch on the USB Type C wireless dongle to **USB**.



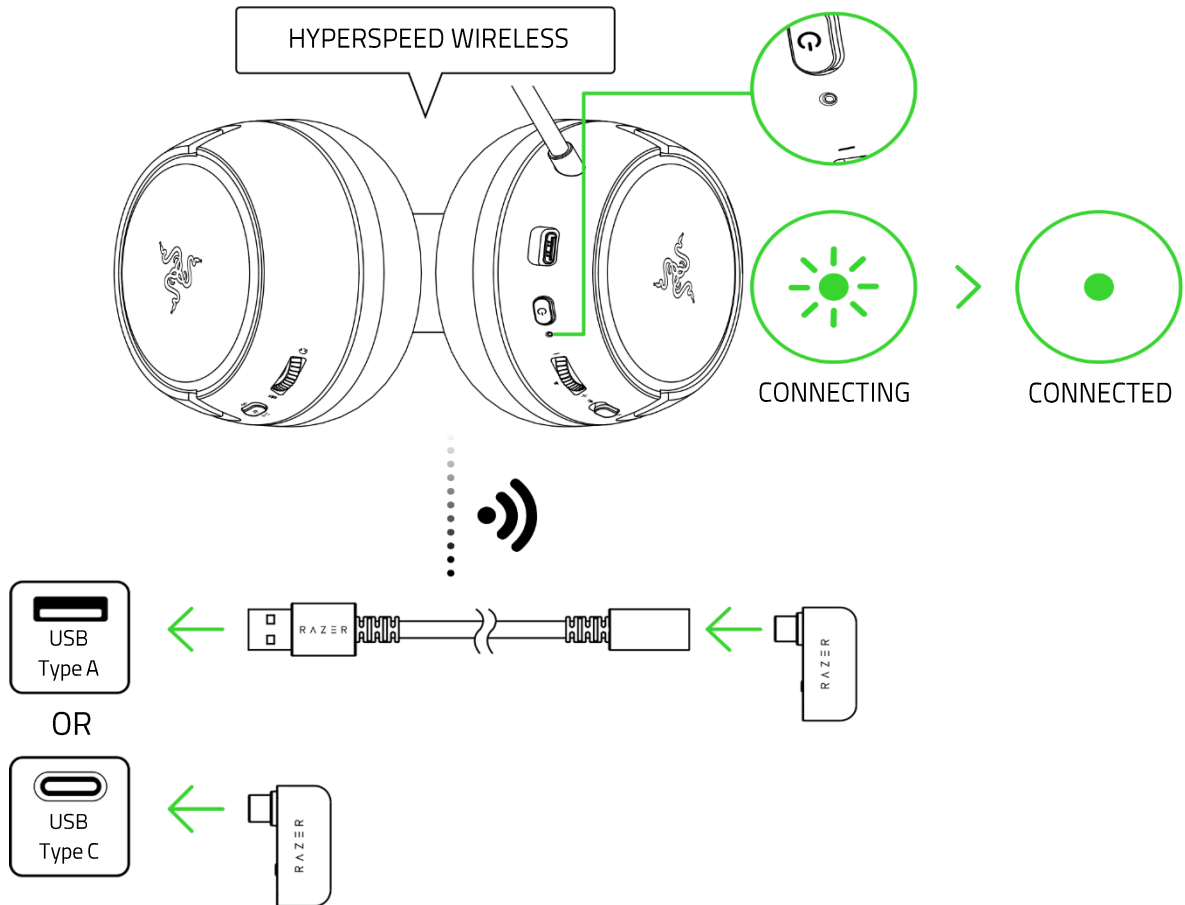
2. Plug the USB Type C wireless dongle into your device.



3. Press and hold the Power button until the status indicator briefly lights up in solid green to power on the headset.



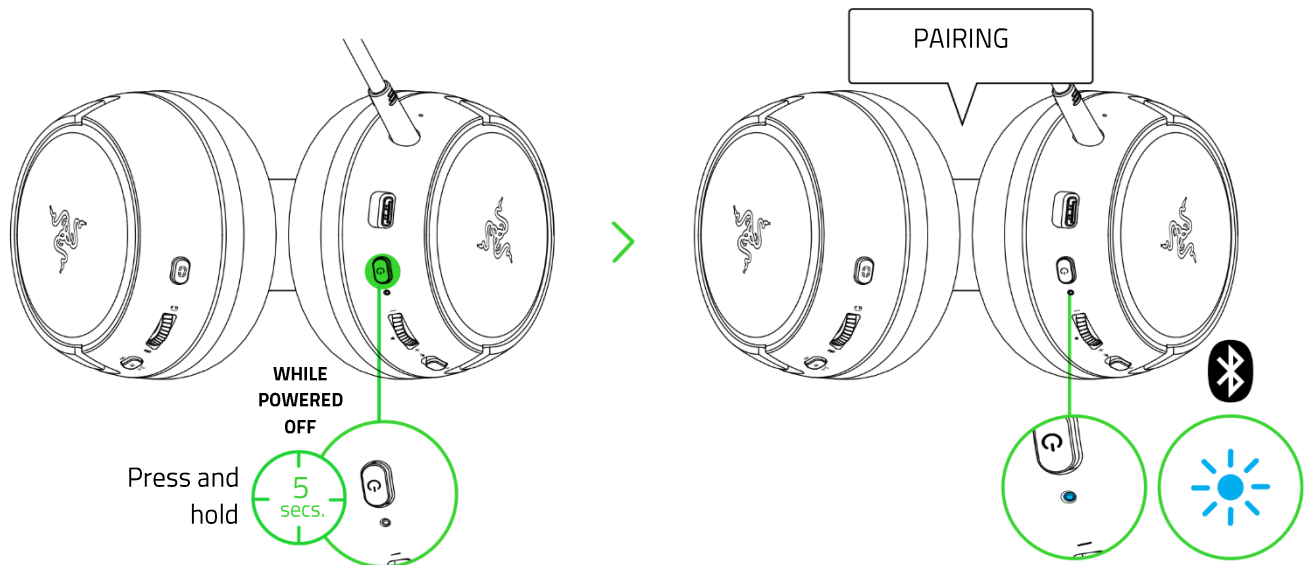
4. Wait until the status indicator briefly becomes static green, indicating that the headset is connected to the USB Type C wireless dongle.



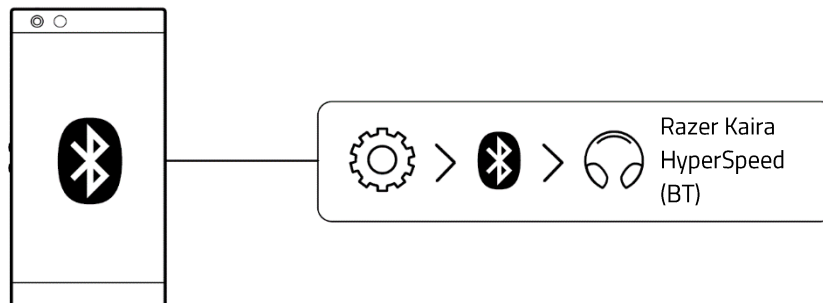
i When using the headset with compatible devices, set the Razer Kaira HyperSpeed 2.4 as the default input and output device (if applicable).

C. To other devices via Bluetooth

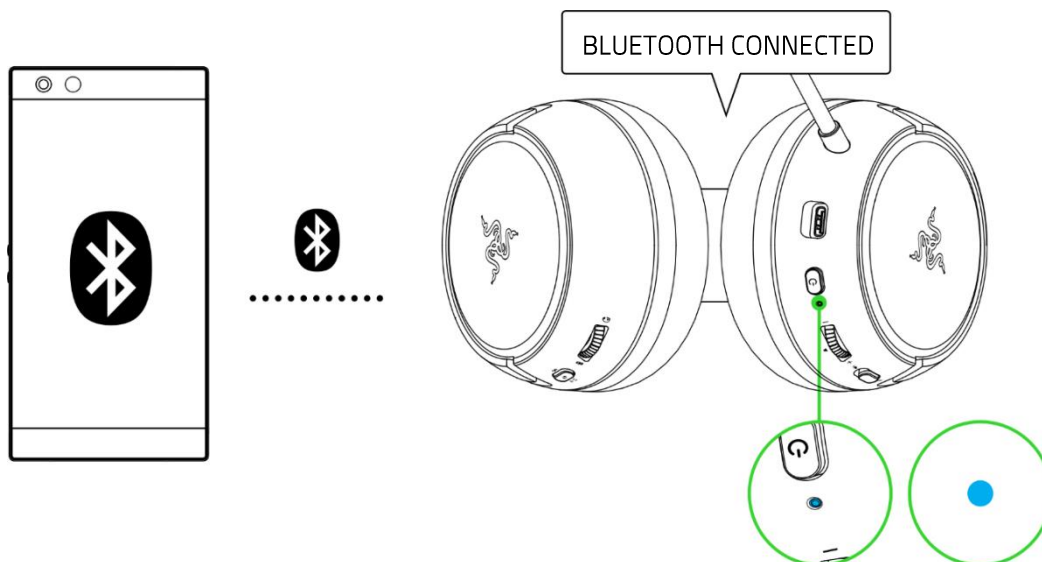
1. While powered off, press and hold the Power button for 5 seconds or until the status indicator starts blinking in blue to enter pairing mode.



2. Activate Bluetooth on your device and select "**Razer Kaira HyperSpeed (BT)**" from the list of devices found.



3. Wait until both devices are connected. The status indicator will briefly show solid blue to indicate that the headset is now connected to your device.



PERSONALIZE YOUR EXPERIENCE

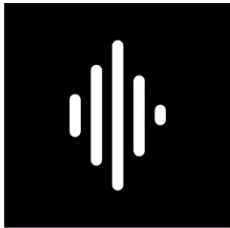
Razer Headset Setup for Xbox App

Personalize your own EQ preset, enable mic monitoring to hear your voice as you chat on chaotic voice channels, and adjust other advanced features for a truly immersive gaming experience from your PC or Xbox console.

**Download and install the Razer Headset Setup for Xbox app from the Microsoft Store on your PC (Windows® 10 64-bit or higher) or Xbox console.*

Razer Audio app (Mobile)

Toggle Do Not Disturb to block incoming calls while gaming, customize your headset's EQ and auto-shutoff settings, and fine-tune other advanced features from your mobile device.



Razer Audio



OR



RZR.TO/AUDAPP
(For China only)

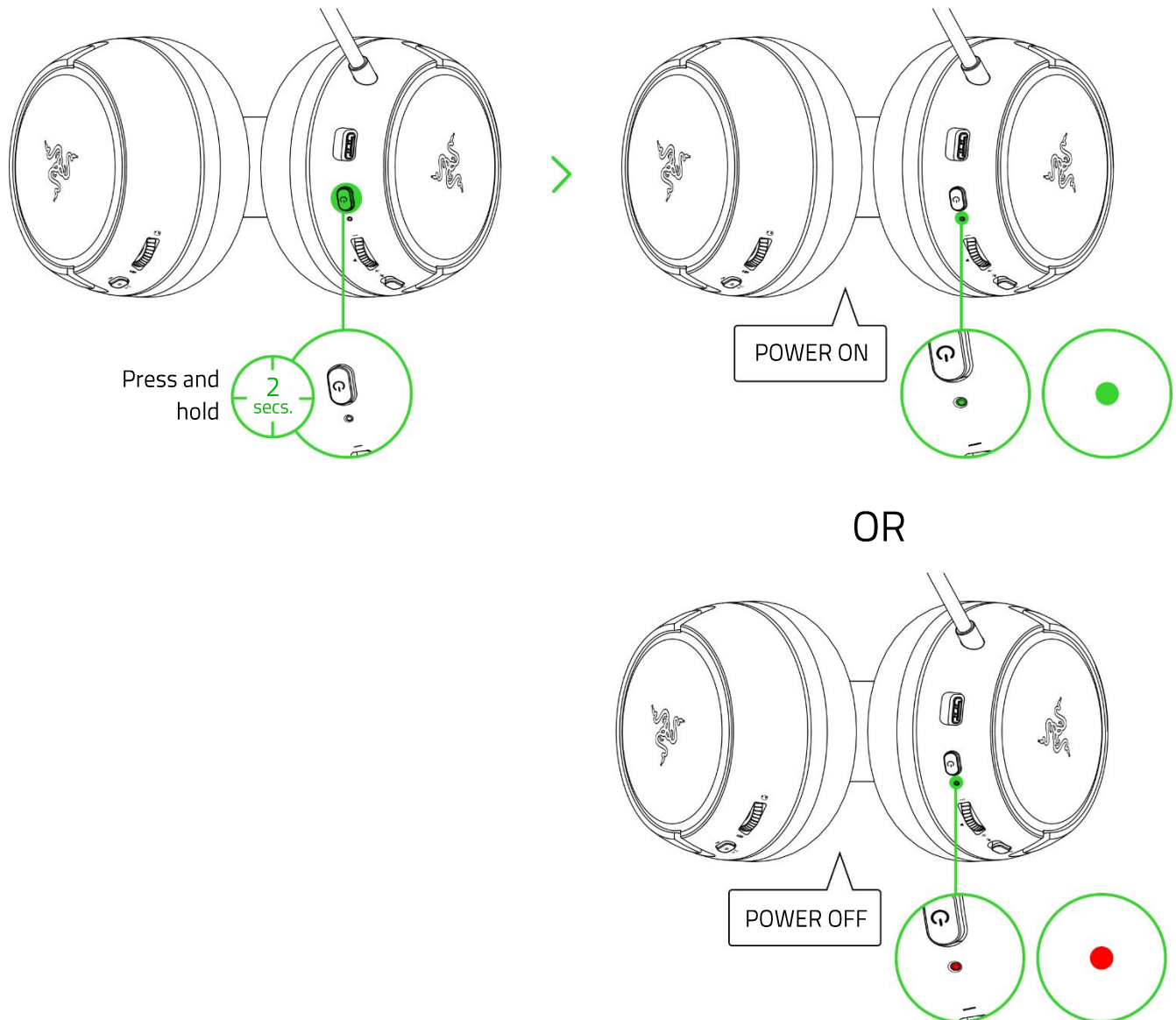
i *Only available on iOS 13 / Android 10 (or higher) devices with Bluetooth connectivity.*

6. USING YOUR HEADSET

POWER BUTTON

Power ON / OFF

Power on the headset by holding the Power button until the status indicator is on and holding the Power button again to turn off. An audio prompt will help notify you when the headset is powered on or off.



i The headset will power on using the last active audio source before power off.

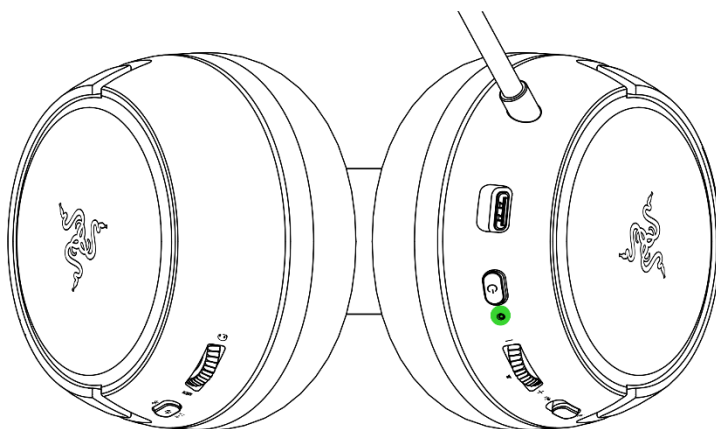
Other functions


Other power button functions are available when the headset is powered on with Bluetooth as the audio source. These functions operate based on your device's current activity and may not apply to certain devices.

Single press	Play/pause
	Accept incoming call or end current call
	Put call on-hold and accept incoming call
	End call and swap to on-hold call
	Cancel outgoing call
Double press	Reject incoming call
	Swap calls
	Skip track
Triple press	Previous track
While powered off, press and hold for 5 seconds	Activate Bluetooth pairing mode

UNDERSTANDING THE STATUS INDICATOR

The status indicator will show the connection and battery status when the headset is unplugged and powered on. While in use, you'll hear a voice prompt when the headset needs to be recharged; during such time, the indicator will continue showing the battery level until you charge the headset.

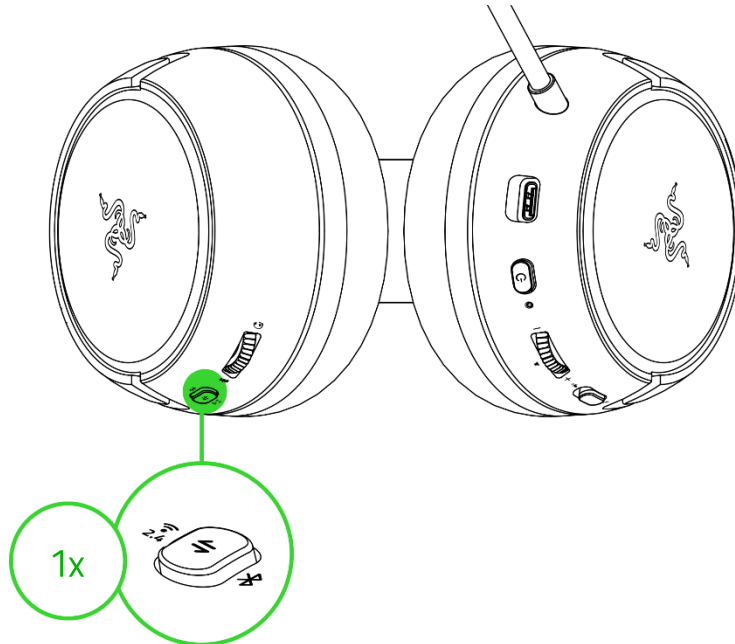


Indicator	Prompt	Battery level
	Voice	Low

RAZER SMARTSWITCH BUTTON

Switching between EQ Presets

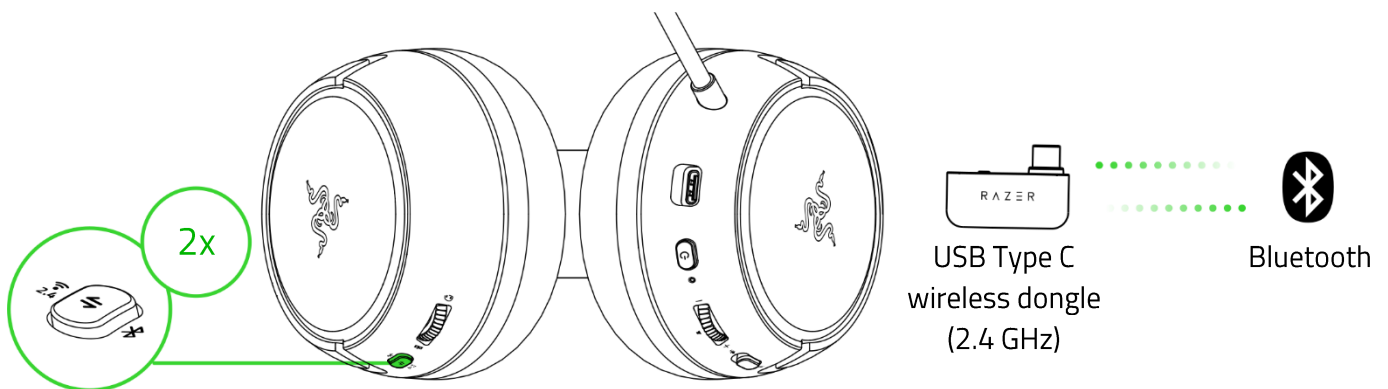
Press the Razer SmartSwitch / EQ button to switch between Default, Amplified, Enhanced Bass, FPS, and Custom* EQ presets available on the headset.



**This preset will only be available when you customize a preset on the Razer Audio app.*

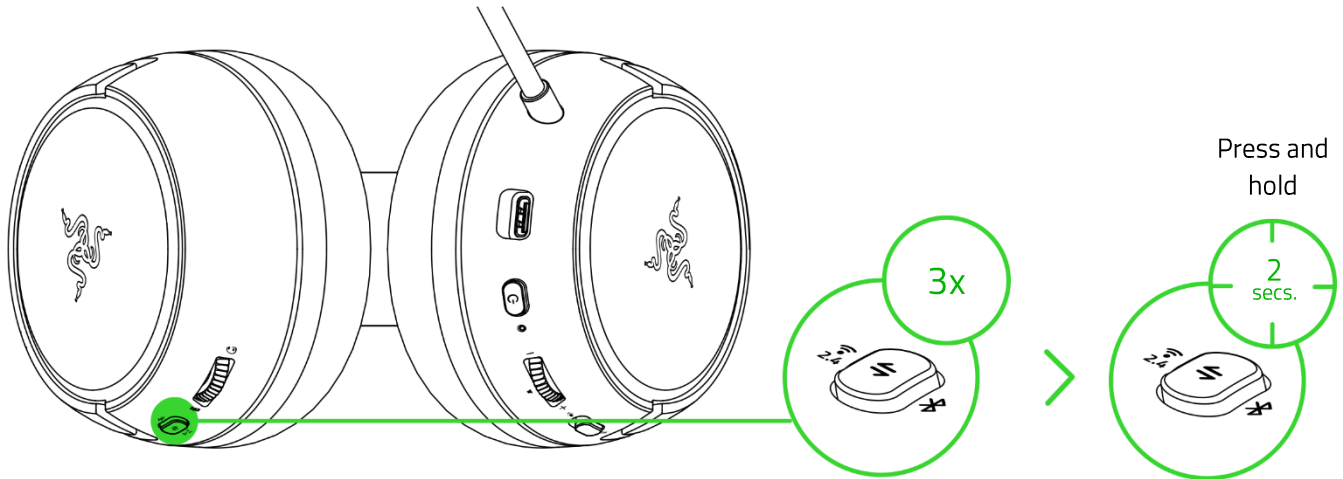
Switching between audio sources

When powered on and connected to any audio source, double press the Razer SmartSwitch button to switch between the USB Type C wireless dongle and Bluetooth audio source or vice versa.



Enabling / Disabling Gaming Mode

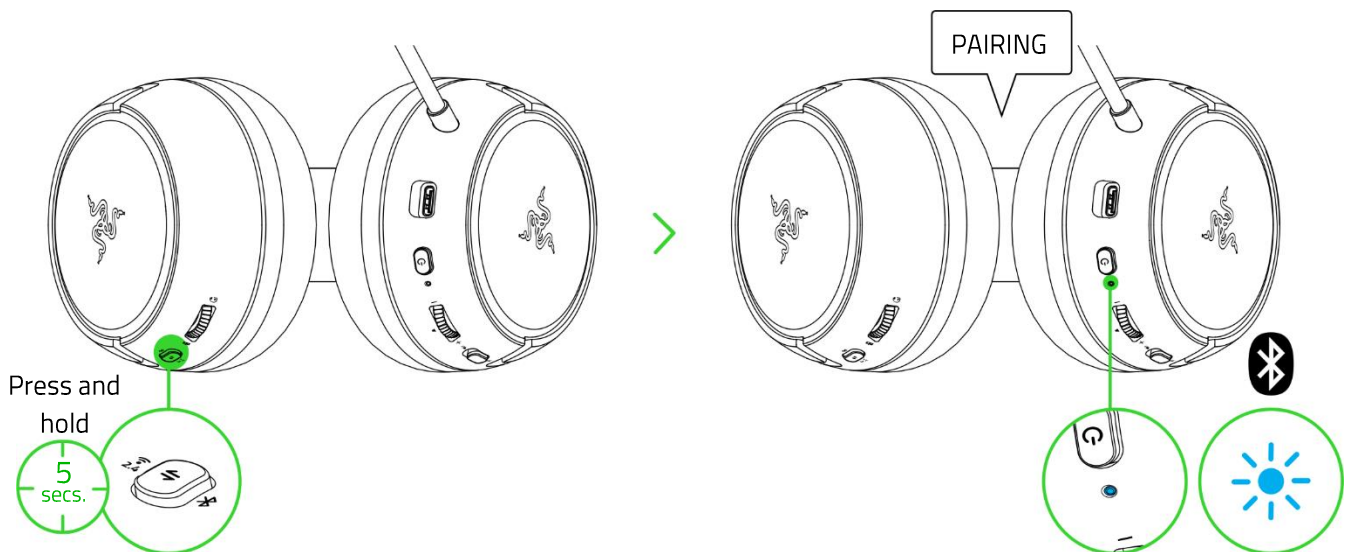
While connected via Bluetooth, triple press the Razer SmartSwitch button, then hold the last press for 2 seconds to activate Gaming Mode. Once enabled, the headset will function at a lower latency, giving you real-time audio feedback while gaming. Repeat to disable gaming mode.



i This feature is only available on Bluetooth connection. Keeping the headset within a very close distance of the audio source is recommended for the best performance.

Reactivating Bluetooth pairing mode


You can also use the Razer SmartSwitch to reactivate Bluetooth pairing mode. While connected via Bluetooth, press and hold the Razer SmartSwitch button for 5 seconds to reactivate Bluetooth pairing mode and connect your device as needed to **Razer Kaira HyperSpeed (BT)**.



Understanding Razer Smartswitch

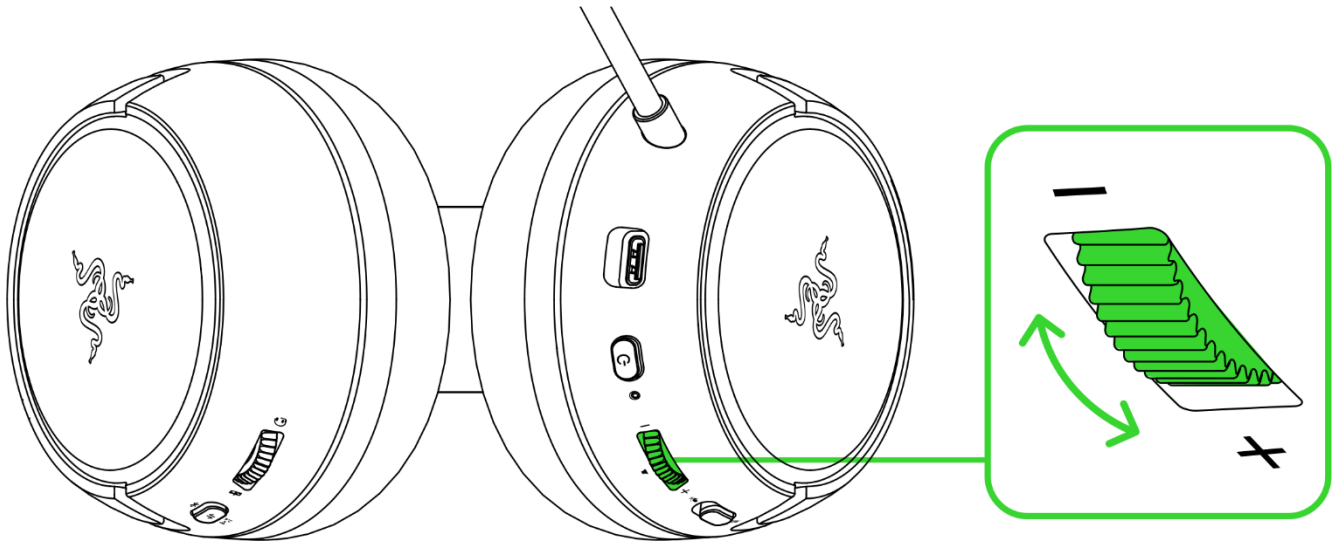
With the Razer Kaira HyperSpeed simultaneously connected to a PC or gaming console (via USB Type C wireless dongle) and a mobile device (via Bluetooth), you'll be able to use the headset for incoming/outgoing/conference calls from a connected Bluetooth device and switch back to the game audio without removing the headset. The status indicator will briefly show static white to indicate that the headset is connected to both audio sources.

The following behaviors below will help you understand how your headset responds to audio source switching and incoming/outgoing/conference calls when your headset is connected to a Bluetooth device and the USB Type C wireless dongle:

Headset audio	Razer SmartSwitch behavior
Streaming via USB Type C wireless dongle	<ul style="list-style-type: none"><li data-bbox="440 722 1463 842">▪ The headset will automatically switch to Bluetooth audio source for incoming/outgoing/conference calls from your mobile device and resume using the USB Type C wireless dongle after each call.  <i>You can deactivate automatic source switching for incoming calls by enabling your headset's Do Not Disturb feature on the Razer Audio app.</i><li data-bbox="440 961 1463 1081">▪ Audio from the connected mobile device will ONLY automatically stream on the headset if no audio is present or streaming on the USB Type C wireless dongle.<li data-bbox="440 1108 1463 1184">▪ Auto-pause on streamed audio when switching audio sources depends on the app you're using (e.g., Spotify, Apple Music).
Streaming via Bluetooth	<ul style="list-style-type: none"><li data-bbox="440 1234 1463 1354">▪ When you switch to the USB Type C wireless dongle audio source, your headset will remain connected to your mobile device via Bluetooth. However, the Razer Audio app will disconnect from your mobile device.<li data-bbox="440 1381 1463 1457">▪ Auto-pause on streamed audio when switching audio sources depends on the app you're using (e.g., Spotify, Apple Music).
Not streaming on any audio source	Audio will play on the first audio source that streams audio.

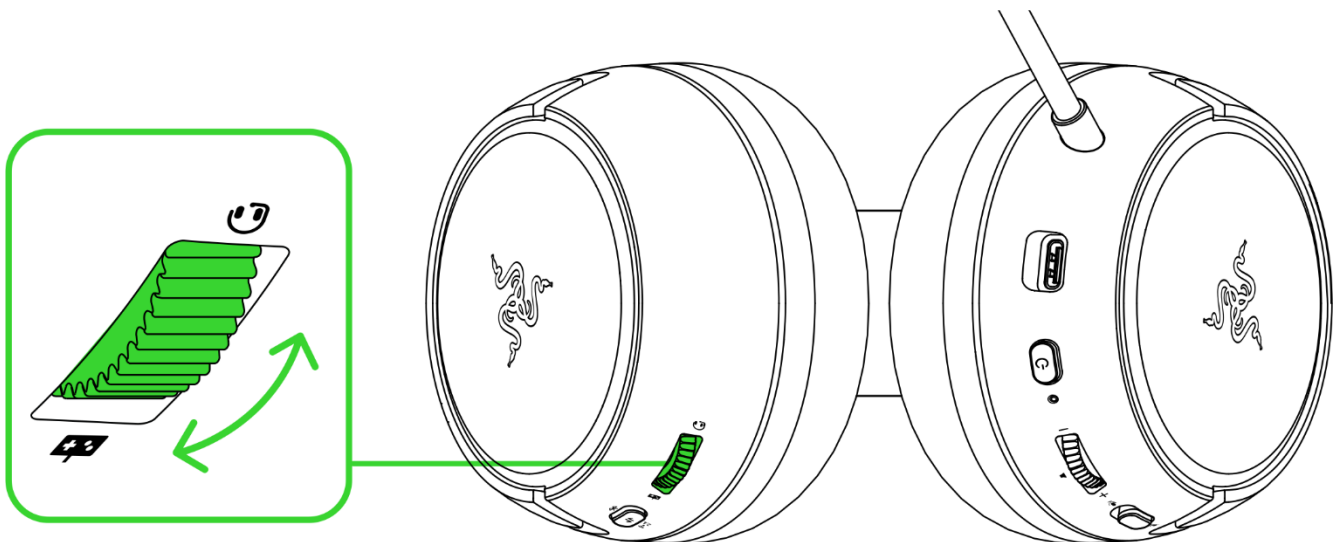
VOLUME WHEEL

Rotate the Volume wheel to increase or decrease the volume.



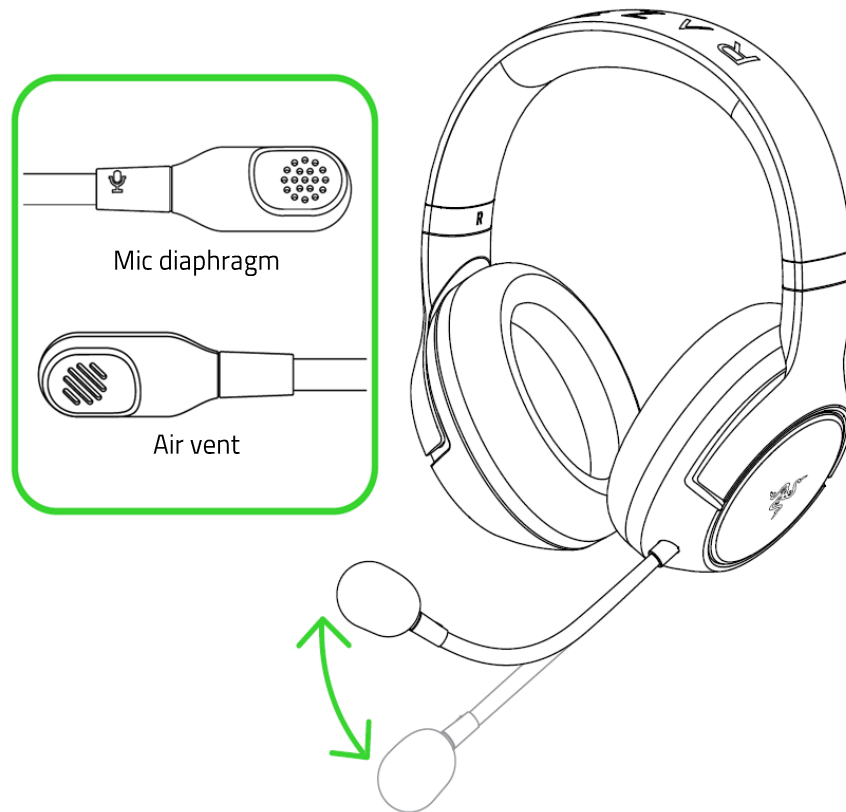
GAME / CHAT BALANCE WHEEL

Rotate the Game / Chat balance wheel to increase the in-game volume and decrease the voice chat volume or vice versa. By default, the notch on the wheel is set to the middle to indicate 50% chat and 50% game volume.



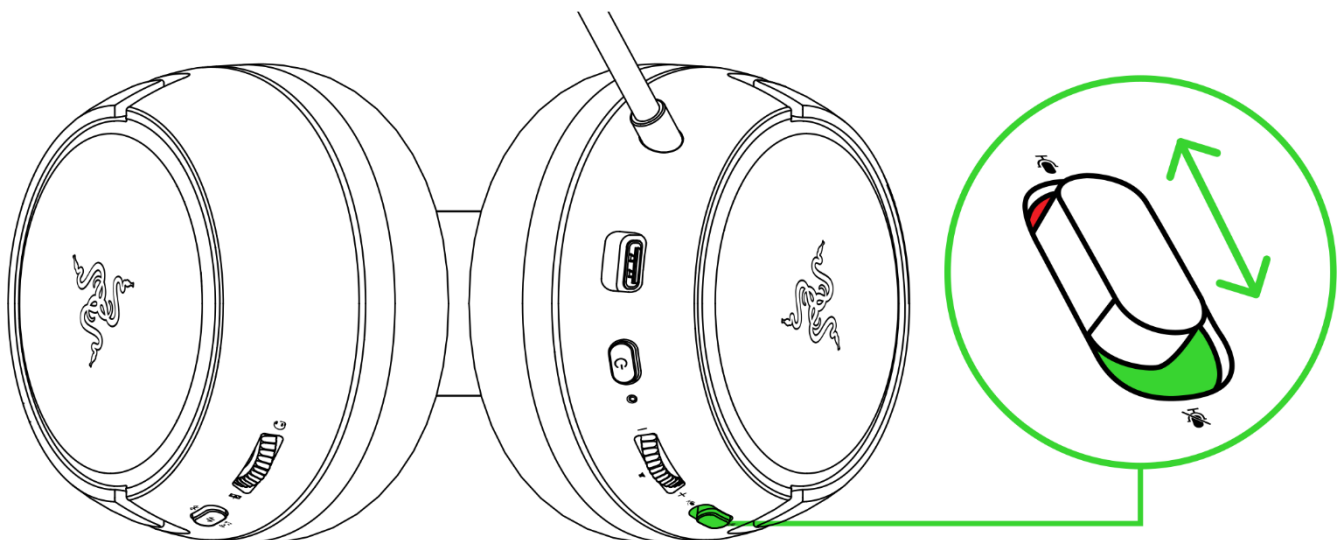
RAZER™ HYPERCLEAR CARDIOID MIC

Bend the Razer™ HyperClear Cardioid mic until it is parallel to your mouth. Make sure the mic diaphragm is in front, and the air vent is facing away from your mouth.



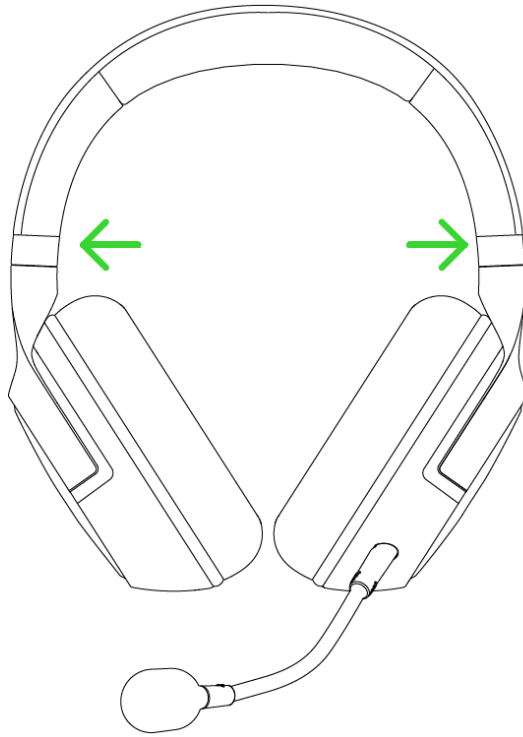
i The recommended mic-to-mouth distance for optimal sound capture is 1.5 cm to 3 cm (0.59 in to 1.18 in).

Slide the mic mute switch to mute or unmute the microphone.



COMFORT

It's recommended to gently stretch the headset before placing it over your head to minimize headband stress; however, don't stretch the headset beyond its limits.



7. SAFETY AND MAINTENANCE

SAFETY GUIDELINES

To achieve maximum safety while using your Razer Kaira HyperSpeed, we suggest that you adopt the following guidelines:

Should you have trouble operating the device properly and troubleshooting does not work, unplug the device and contact the Razer hotline or go to support.razer.com for assistance.

Don't take apart the device, and don't attempt to operate it under abnormal current loads. Doing so will void your warranty.

Keep the device away from liquid, humidity, or moisture. Operate the device only within the specific temperature range of 0°C (32°F) to 40°C (104°F). Should the temperature exceed this range, unplug and/or switch off the device to let the temperature stabilize to an optimal level.

We recommend stretching the headset gently apart before placing them over your head to minimize headband stress. However, please avoid overstretching the headset beyond its technical limits.

The device isolates external ambient sounds even at low volumes, resulting in lowered awareness of your external surroundings. Please remove the device when engaging in activities that require active awareness of your surroundings.

Listening to excessively loud volumes over extended periods can damage your hearing. Furthermore, legislation of certain countries permits a maximum sound level of 86db to affect your hearing for 8 hours a day. We, therefore, recommend that you reduce the volume to a comfortable level when listening for prolonged periods. Please, take good care of your hearing.

MAINTENANCE AND USE

The Razer Kaira HyperSpeed requires minimum maintenance to keep it in optimum condition. Once a month, we recommend you power off or unplug the device from the computer (if applicable) and clean it using a soft cloth or cotton swab to prevent dirt buildup. Don't use soap or harsh cleaning agents.

BATTERY WARNING

The Razer Kaira HyperSpeed contains a Li-ion rechargeable battery. In general, the life expectancy of such batteries is dependent upon usage. If you suspect that the Li-ion rechargeable battery inside the Razer Kaira HyperSpeed may be drained (has a low charge), try charging it.

Caution: Don't open, mutilate, or expose to conducting materials (metal), moisture, liquid, fire, or heat. Doing so may cause batteries to leak or explode, resulting in personal injury. Battery life varies with usage.

8. LEGALESE

COPYRIGHT AND INTELLECTUAL PROPERTY INFORMATION

©2022 Razer Inc. All rights reserved. Razer, the triple-headed snake logo, Razer logo, and “For Gamers. By Gamers.” are trademarks or registered trademarks of Razer Inc. and/or affiliated companies in the United States or other countries. All other trademarks are the property of their respective owners.

Android, Google, and Google Logo are trademarks of Google LLC.

Apple, the Apple logo, and iPhone are trademarks of Apple Inc., registered in the U.S. and other countries. iOS is a trademark or registered trademark of Cisco in the U.S. and other countries and is used under license.

Microsoft, Xbox, Xbox “Sphere” Design, Xbox One and Xbox Series X|S are trademarks of the Microsoft group of companies. All other trademarks are the property of their respective owners.

The Bluetooth® word mark and logos are registered trademarks owned by Bluetooth SIG, Inc., and any use of such marks by Razer is under license.

Windows and the Windows logo are trademarks or registered trademarks of the Microsoft group of companies.

Razer Inc. (“Razer”) may have copyright, trademarks, trade secrets, patents, patent applications, or other intellectual property rights (whether registered or unregistered) concerning the product in this guide. Furnishing of this guide does not give you a license to any such copyright, trademark, patent or other intellectual property right. The Razer Kaira HyperSpeed (the “Product”) may differ from pictures whether on packaging or otherwise. Razer assumes no responsibility for such differences or for any errors that may appear. Information contained herein is subject to change without notice.

LIMITED PRODUCT WARRANTY

For the latest and current terms of the Limited Product Warranty, please visit [razer.com/warranty](https://www.razer.com/warranty).

LIMITATION OF LIABILITY

Razer shall in no event be liable for any lost profits, loss of information or data, special, incidental, indirect, punitive or consequential or incidental damages, arising in any way out of distribution of, sale of, resale of, use of, or inability to use the Product. In no event shall Razer’s liability exceed the retail purchase price of the Product.

GENERAL

These terms shall be governed by and construed under the laws of the jurisdiction in which the Product was purchased. If any term herein is held to be invalid or unenforceable, then such term (in so far as it is invalid or unenforceable) shall be given no effect and deemed to be excluded without invalidating any of the remaining terms. Razer reserves the right to amend any term at any time without notice.