

# XIAOMI Vacuum Cleaner G20 Lite User Manual



This product is for household use only. Read this manual carefully before use, and retain it for future reference.

## Safety Instructions

This product is for household use only. Read this manual carefully before use, and retain it for future reference.

- This appliance can be used by children aged from 8 years and above and persons with reduced physical, sensory or mental capabilities or lack of experience and knowledge if they have been given supervision or instruction concerning use of the appliance in a safe way and understand the hazards involved. Children shall not play with the appliance. Cleaning and user maintenance shall not be made by children without supervision.
- This appliance contains batteries that are only replaceable by skilled persons.
- The appliance is only to be used with the power supply unit provided with the appliance.
- This vacuum is for indoor use only. Do not use or install it in outdoor, industrial, or commercial environments.
- A hazard may occur if the appliance runs over the supply cord.
- The plug must be removed from the socket-outlet before cleaning or maintaining the appliance.
- To reduce the risk of fire, explosion, or personal injury, check before use to make sure the power supply is damaged. Do not use the vacuum if the power adapter is damaged.
- If the charger or battery becomes damaged, it must be replaced with a genuine component purchased from the manufacturer or after-sales service department.
- Make sure to turn the vacuum cleaner off before cleaning or replacing the roller brush.
- The electric brush bar, the extension rod, and the vacuum cleaner are electrically conductive and should not be immersed in water or other liquids. Make sure the filter, pre-filter and post-filter are thoroughly dry after cleaning.
- To prevent injury, turn off the vacuum cleaner and remove the electric brush bar before cleaning and maintenance. Do not use the vacuum cleaner before installing the electric brush bar, dust compartment cover filter, pre-filter and post-filter properly.
- Periodically check the extension rod and do not use it if it is damaged.
- Neither use the vacuum cleaner to pick up flammable or explosive liquids such as gasoline, nor other liquids such as water or toxic liquids like bleach, ammonia, and drain cleaners.
- Do not use the vacuum cleaner to clean up toner used in laser printers and copiers; as toner may cause fire or explosion.
- Do not use the vacuum cleaner to pick up drywall particles, ashes like fireplace ash, or smoking or burning materials such as coal, cigarette butts or matches.
- Do not use the vacuum cleaner to pick up sharp or hard objects, such as glass, nails, screws, or coins, which may damage the product.
- Do not use the vacuum cleaner to clean stains of thick oily substances, strong adhesives, or dyes; such as shoe polish, paints; and pigments.
- Keep hair, loose, clothing, fingers, and other parts of the body away from the vacuum cleaner's openings and moving parts.
- Do not point the suction opening, extension rod, or other accessories at your eyes or ears or put them in your mouth.
- Do not put any object into the vacuum cleaner's openings, nor use the vacuum cleaner with any opening blocked. Keep free of dust, lint hair, or other items which may reduce the suction power of the vacuum cleaner.
- Do not lean the vacuum cleaner on unstable objects such as chairs or tables to prevent damage or injury caused by it falling off.
- Do not charge or store the vacuum near heat sources or in humid areas, such as by a radiator or in a kitchen or bathroom.
- Do not expose the appliance or battery to excessive temperatures.
- Be aware of the risk of terminals of the battery-operated appliance or battery being short-circuited by metal objects.
- Only use replacement parts that are approved by Xiaomi.
- In the event of a battery leak, avoid contact with the liquid and dispose of the battery at a government-approved recycling facility. In case of contact with eyes, rinse with plenty of water and seek medical attention immediately.
- Please be extra careful when using the vacuum cleaner to clean stairs.
- Fire Hazard Warning: Do not apply any type of fragrance to the vacuum cleaner's pre-filter. These types of products are known to contain flammable chemicals which may cause the vacuum cleaner to catch fire.
- Strictly follow the instructions in this user manual to charge the vacuum at an ambient temperature of 0 °C to 35 °C. Improper charging may result in damage to the battery.
- Please strictly follow the instructions in this user manual when using the vacuum cleaner. Users are responsible for any loss or damage that may arise from improper use of the vacuum cleaner.
- **WARNING:** Only use the supply unit provided with this appliance.
- **WARNING:** For the purposes of recharging the battery, only use the detachable supply unit provided with this appliance.
- Use only with BLJ15WJ270050P-V or AD-D0752700050EU01 supply unit.

## Regulatory Compliance Information



### EU Declaration of Conformity

We, Beijing Shuzao Technology Co., Ltd., hereby declare that this equipment is in compliance with the applicable Directives an European Norms, and amendments. The full text of the EU declaration of conformity is available at the following address: <http://www.mi.com/global/service/support/declaration.html>

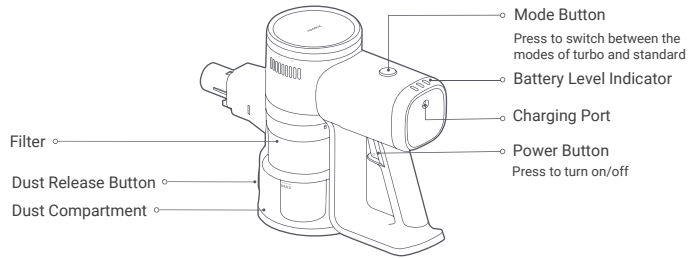


### WEEE Disposal and Recycling Information

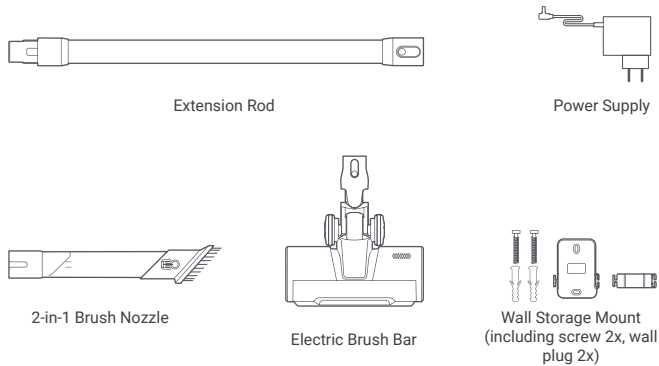
All products bearing this symbol are waste electrical and electronic equipment (WEEE as in directive 2012/19/EU) which should not be mixed with unsorted household waste. Instead you should protect human health and the environment by handing over your waste equipment to a designated collection point for the recycling of waste electrical and electronic equipment, appointed by the government or local authorities. Correct disposal and recycling will help prevent potential negative consequences to the environment and human health. Please contact the installer or local authorities for more information about the location as well as terms and conditions of such collection points.

## Product Overview

### Vacuum Cleaner



### Accessory List



Note: Illustrations of product, accessories, and user interface in the user manual are for reference purposes only. Actual product and functions may vary due to product enhancements.

## How to Install

### Installing the accessories onto the vacuum cleaner

- Connecting extension rod to vacuum cleaner and electric brush bar

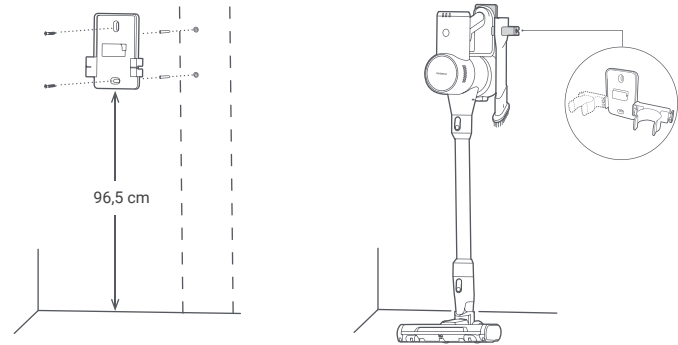


- Connecting 2-in-1 brush nozzle to vacuum cleaner

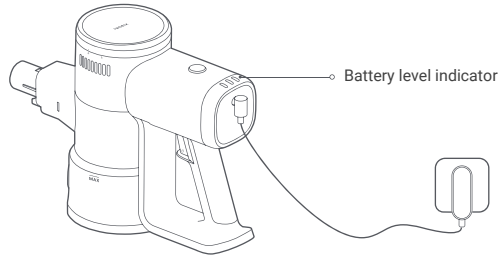


### Installing the wall storage mount

- Choose a cool and dry place with an electrical outlet nearby. Before installing, make sure that there are not any wires or pipes in the wall directly behind where the mount will be installed.
- The distance between the bottom of the wall storage mount and the ground is recommended to be 96,5 cm.
- Hold the wall storage mount in position, and make marks on the wall according to the holes on the mount.
- Use a power drill with an 8 mm drill bit to drill a hole approximately 40 mm deep in each marked position, then insert a wall plug into each hole.
- Align the mounting holes on the wall storage mount with the holes on the wall, and then use included screws to secure the mount to the wall.



## Charging



### Battery level indicator status description

● Off	☀️ Blinking	○ On
<b>Working</b>		
○ ● ● Low battery	○ ○ ○ Nearly full	
○ ○ ● Half battery		
<b>Charging</b>		
☀️ ● ● Low battery	○ ○ ☀️ Nearly full	
○ ☀️ ● Half battery	○ ○ ○ Fully charged	

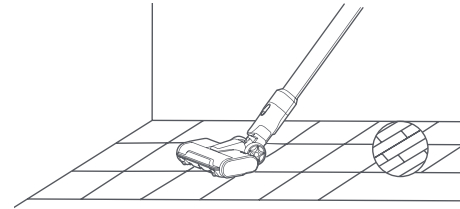
### Notes:

- Fully charge the vacuum cleaner before using it for the first time. This will take about 5 hours.
- The vacuum cleaner cannot be used while charging.
- Once the vacuum cleaner is fully charged, the indicator will turn off after 20 seconds, and the vacuum cleaner will then enter the energy-saving mode.
- Vacuuming at the highest suction level for a prolonged period will cause the battery to heat up, which may increase the charging time. Before charging the vacuum cleaner, it is better to cool it down for 30 minutes.

## How to Use

### Electric Brush Bar

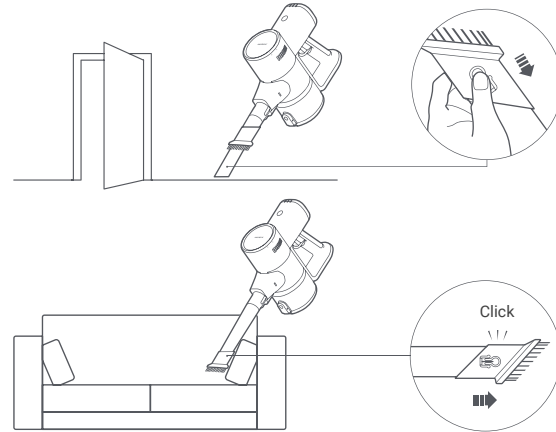
For cleaning marble, wood, and short pile carpeted floors.



### 2-in-1 Brush Nozzle

Suitable for cleaning places with crevices, such as keyboards, curtains, sofas, ceilings, corners, and car interior.

Note: To avoid potential safety hazards, do not expose the vacuum cleaner to direct sunlight or store it in environments with high temperatures like inside a car in summer.



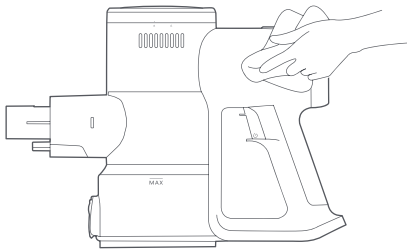
## Care & Maintenance

### CAUTIONS:

- Before care and maintenance, unplug the power supply and make sure the vacuum cleaner is turned off.
- Always use genuine parts to ensure normal operation and to keep your warranty valid.
- If the filter, pre-filter, post-filter, extension rod, or 2-in-1 brush nozzle is blocked, the vacuum cleaner will stop working. Before using the vacuum cleaner again, turn it off and clean the blocked part.
- If the brush bar gets blocked, it will stop working but the vacuum cleaner itself will not. Before using the vacuum cleaner again, turn it off and clean the brush bar.
- Before cleaning, remove the brush head from the vacuum cleaner to prevent accidentally turning on the vacuum cleaner, which can cause injury.
- If the vacuum cleaner will not be used for an extended period, fully charge it and disconnect it from the power then store it in a cool, low-humidity environment away from direct sunlight.
- To avoid over-discharging the battery, recharge the vacuum cleaner at least once every three months.

### Cleaning the Vacuum Cleaner

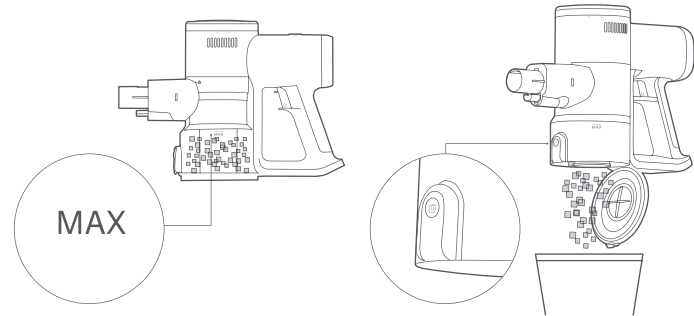
Wipe the vacuum cleaner with a soft, dry cloth.



### Cleaning the dust compartment

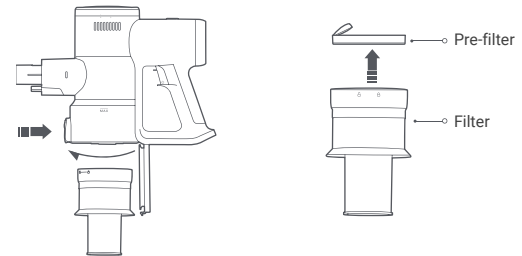
Before cleaning the dust compartment, disconnect the power supply and remove the extension rod. The vacuum's cleaning ability will be reduced if the dust compartment is filled to the "MAX" mark. To regain performance, empty the dust compartment.

- Empty the dust compartment: Hold the dust compartment over a trash bin, then press the dust release button to empty out the contents.

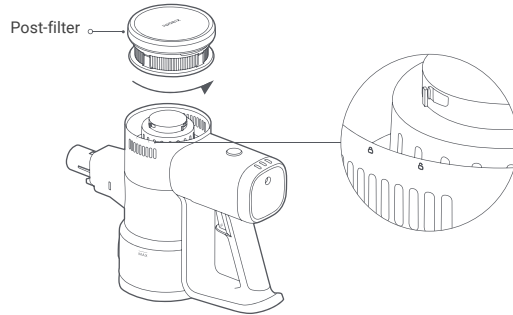


### Cleaning the filter assembly

1. Press the dust release button to open the dust compartment, turn the filter as illustrated to remove it, then remove the pre-filter from the filter.



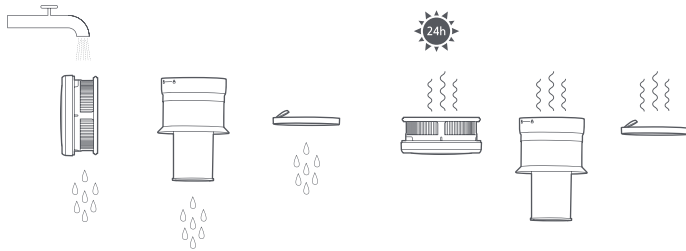
2. Turn the post-filter as illustrated to remove it.



3. Rinse the filter, pre-filter, and post-filter under running tap water until clean, then set them aside to fully dry for at least 24 hours.

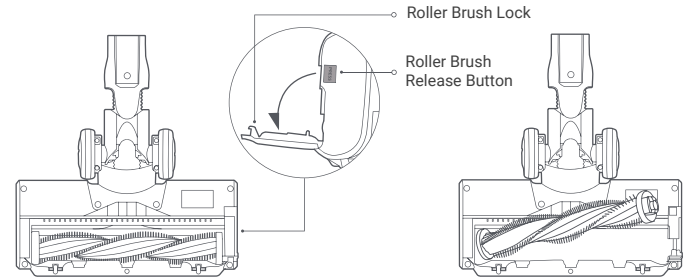
Notes:

- Never soak the filter, pre-filter, and post-filter.
- When cleaning the post-filter, rinse it repeatedly and its edge lightly to remove any dust and debris until it is clean.
- Do not clean the pre-filter and post-filter with your hands, a brush, or a sharp object to prevent damage.
- If the suction power is still significantly reduced after the pre-filter and post-filter are cleaned, you can try to purchase and replace them with genuine ones.



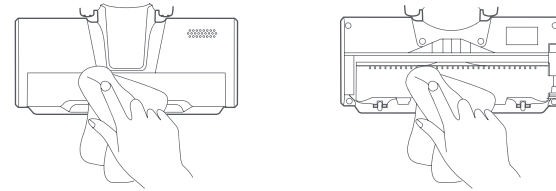
## Cleaning the electric brush bar

1. Place the brush bar upside down and press the roller brush release button to unlock the roller brush and remove it

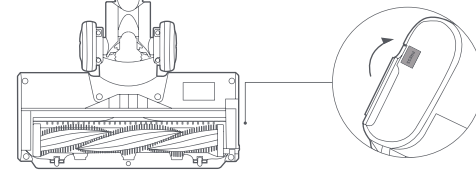


2. Use a dry cloth or paper towel to wipe dust and debris from the suction opening and the transparent cover.

Note: Do not clean the electric brush bar with water as it has a built-in motor.



3. Reinstall the roller brush, and press the lock it into place.



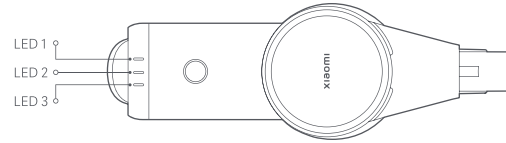
## Common Issue

Common Issue	Possible Cause	Solution
The vacuum cleaner does not work.	Battery is depleted.	Charge the vacuum cleaner before use.
	The suction opening, air duct, pre-filter, or post-filter is blocked.	Check and clean immediately.
	The filter, pre-filter, or post-filter is not installed in place.	Check and install in place.
	The battery temperature protection is triggered.	Wait until the battery temperature returns to normal, then resume use.
The suction power reduces.	The dust compartment is full, or the pre-filter or the post-filter is blocked.	Check and clean immediately.
	Brush head is clogged.	Clean the brush head.
Low battery life.	Battery is not fully charged.	Charge the vacuum cleaner before use.
	The dust compartment is full, or the pre-filter or the post-filter is blocked.	Check and clean immediately.
	Brush head is clogged.	Clean the brush head.
The roller brush does not rotate.	The roller brush is stuck by foreign objects.	Remove any foreign object, and then resume use.
	The high-temperature protection for the brush bar's motor is triggered.	Wait for the temperature of the brush bar's motor to return to normal before use.
	The conductive contacts are dirty.	Wipe the contacts with a soft dry cloth and try again.
Unable to charge.	The power supply being used is not genuine.	Only use the genuine power supply to charge the vacuum cleaner.
The battery charges slowly.	The battery temperature protection is triggered.	Wait until the battery temperature returns to normal, then resume use.

Note: If the solutions above do not resolve the issue, please contact the after-sales service team.

## Troubleshooting

If the vacuum cleaner is not working properly, the battery level indicator will display an error message. Refer to the table below for troubleshooting.



Error message	Possible Cause	Solution
LED 1, LED 2 and LED 3 blink three times simultaneously.	Power supply error	Only use the genuine power supply to charge the vacuum cleaner.
	The battery temperature protection is triggered.	Wait for the temperature of the brush bar's motor to return to normal before use.
	Battery cell error	Contact the after-sales service team
	Temperature sensor error	
	Motor error	
LED 1 blinks ten times.	Battery Depleted	Only use the genuine power supply to charge the vacuum cleaner.

## Specifications

Xiaomi Vacuum Cleaner G20 Lite			
Name	Cordless Vacuum Cleaner	Model	C203
Rated Voltage	22,2 V ~	Rated Power	215 W
Charging Voltage	27,0 ~	Net Weight	2,4 kg
Electric Brush Bar			
Model	C203-DS	Rated Voltage	22,2 V ~
Rated Power	15 W		
Power Supply			
Manufacturer	Zhongshan Baolijin Electronic Co., Ltd.		
Model	BLJ15WJ270050P-V	Average Active Efficiency	85,9 %
Rated Input	100-240 V ~ 50/60 Hz 0,5 A	Efficiency at Low Load (10%)	73,2 %
Rated Output	27,0 V ~ 0,5 A 13,5 W	No-load Power Consumption	0,09 W
Manufacturer	Shenzhen AMC Technology Co., Ltd.		
Model	AD-D0752700050EU01	Average Active Efficiency	84,5%
Rated Input	100-240 V ~ 50/60 Hz 0,8 A	Efficiency at Low Load (10%)	75,5 %
Rated Output	27,0 V ~ 0,5 A 13,5 W	No-load Power Consumption	0,09 W

Note: Model BLJ15J270050P-V and AD-D0752700050EU01 are both applicable for the vacuum cleaner, and only one comes with the package.

## Environmental Notice

The rechargeable lithium-ion battery pack of this vacuum cleaner contains chemicals that may pollute the environment. Before disposing of the vacuum cleaner, remove the batteries and then discard them at an appropriate recycling facility.

- The battery must be removed from the appliance before it is scrapped.
- The appliance must be disconnected from the supply mains when removing the battery.
- The battery is to be disposed of safely.

### CAUTIONS:

- Make sure the vacuum cleaner is disconnected from power and the batteries are fully drained before battery removal.
- Take the removed batteries to the professional recycling facility to properly dispose of them.
- Do not leave the batteries in a high-temperature environment; otherwise, they may explode.
- In the event of battery leak, avoid contact with the liquid. If the liquid enters the eyes, rinse with plenty of water and seek medical attention immediately.

### Steps to Remove the Battery:

1. Remove the back covers of the vacuum cleaner and the handle, and remove the micro switch from the handle.
2. Use a screwdriver to remove the screws in the vacuum cleaner, then unplug the wires and take out the battery pack assembly.
3. Unscrew the two screws in the vacuum cleaner, then unplug the wires and take out the battery pack assembly.
4. Remove the upper and lower covers on the circuit board and battery pack, and take out the batteries.



# WARRANTY NOTICE

---

**THIS WARRANTY GIVES YOU SPECIFIC RIGHTS, AND YOU MAY HAVE OTHER RIGHTS CONVEYED BY LAWS OF YOUR COUNTRY, PROVINCE OR STATE. INDEED, IN SOME COUNTRIES, PROVINCES OR STATES, CONSUMER LAW MAY IMPOSE A MINIMUM WARRANTY PERIOD. OTHER THAN AS PERMITTED BY LAW, XIAOMI DOES NOT EXCLUDE, LIMIT OR SUSPEND OTHER RIGHTS YOU MAY HAVE. FOR A FULL UNDERSTANDING OF YOUR RIGHTS WE INVITE YOU TO CONSULT THE LAWS OF YOUR COUNTRY, PROVINCE OR STATE.**

## 1. LIMITED PRODUCT WARRANTY

XIAOMI warrants that the Products are free from defects in materials and workmanship under normal use and use in accordance with the respective Product user manual, during the Warranty Period. The duration and conditions related to the legal warranties are provided by respective local laws. For more information about the consumer warranty benefits, please refer to Xiaomi's official website <https://www.mi.com/en/service/warranty/>.

Xiaomi warrants to the original purchaser that its Xiaomi Product will be free from defects in materials and workmanship under normal use in the period mentioned above.

Xiaomi does not guarantee that the operation of the Product will be uninterrupted or error free.

Xiaomi is not liable for damages arising from non-compliance with the instructions related to the use of the Product.

## 2. REMEDIES

If a hardware defect is found and a valid claim is received by Xiaomi within the Warranty Period, Xiaomi will either (1) repair the product at no charge, (2) replace the product, or (3) refund the Product, excluding potential shipping costs.

## 3. HOW TO OBTAIN WARRANTY SERVICE

To obtain warranty service, you must deliver the Product, in its original packaging or similar packaging providing an equal degree of Product protection, to the address specified by Xiaomi. Except to the extent prohibited by applicable law, Xiaomi may require you to present proofs or proof of purchase and / or comply with registration requirements before receiving warranty service.

## 4. EXCLUSIONS AND LIMITATIONS

Unless otherwise stipulated by Xiaomi, this Limited Warranty applies only to the Product manufactured by or for Xiaomi and identifiable by the trademarks, trade name or "Xiaomi" or "Mi" logo.

The Limited Warranty does not apply to any (a) Damage due to acts of nature or God, for example, lightning strikes, tornadoes, flood, fire, earthquake or other external causes; (b) Negligence; (c) Commercial use; (d) Alterations or modifications to any part of the Product; (e) Damage caused by use with non-Xiaomi products; (f) Damage caused by accident, abuse or misuse; (g) Damage caused by operating the Product outside the permitted or intended uses described by Xiaomi or with improper voltage or power supply; or (h) Damage caused by service (including upgrades and expansions) performed by anyone who is not a representative of Xiaomi.

It is your responsibility to backup any data, software, or other materials you may have stored or preserved on the product. It is likely that the data, software or other materials in the equipment will be lost or reformatted during the service process, Xiaomi is not responsible for such damage or loss.

No Xiaomi reseller, agent, or employee is authorized to make any modification, extension, or addition to this Limited Warranty. If any term is held to be illegal or unenforceable, the legality or enforceability of the remaining terms shall not be affected or impaired.

Except as prohibited by laws or otherwise promised by Xiaomi, the after-sales services shall be limited to the country or region of the original purchase.

Products which were not duly imported and/or were not duly manufactured by Xiaomi and/or were not duly acquired from Xiaomi or a Xiaomi's official seller are not covered by the present warranties. As per applicable law you may benefit from warranties from the non-official retailer who sold the product. Therefore, Xiaomi invites you to contact the retailer from whom you purchased the product.

The present warranties do not apply in Hong Kong and Taiwan.

## 5. IMPLIED WARRANTIES

Except to the extent prohibited by applicable law, all implied warranties (including warranties of merchantability and fitness for a particular purpose) will have a limited duration up to a maximum duration of this limited warranty. Some jurisdictions do not allow limitations on the duration of an implied warranty, so the above limitation will not be applied in these cases.

## 6. DAMAGE LIMITATION

Except to the extent prohibited by applicable law, Xiaomi shall not be liable for any damages caused by accidents, indirect, special or consequential damages, including but not limited to loss of profits, revenue or data, damages resulting from any breach of express or implied warranty or condition, or under any other legal theory, even if Xiaomi has been informed of the possibility of such damages. Some jurisdictions do not allow the exclusion or limitation of special, indirect, or consequential damages, so the above limitation or exclusion may not apply to you.

## 7. XIAOMI CONTACTS

For customers, please visit the website: <https://www.mi.com/en/service/warranty/>

The contact person for the after-sale service may be any person in Xiaomi's authorized service network, Xiaomi's authorized distributors or the final vendor who sold the products to you. If in doubt please contact the relevant person as Xiaomi may identify.

Manufactured for: Xiaomi Communications Co., Ltd.  
Manufactured by: Beijing Shunzao Technology Co., Ltd.  
(a Mi Ecosystem company)

Address: 101, 1st floor, Building 1, No.16, Anningzhuang East Road, Haidian District, 100089 Beijing, PEOPLE'S REPUBLIC OF CHINA

For further information, please go to [www.mi.com](http://www.mi.com)  
User Manual Version: V1.0

Importer:  
Beryko s.r.o.  
Pod Vinicemi 931/2, 301 00 Plzeň  
[www.berko.cz](http://www.berko.cz)